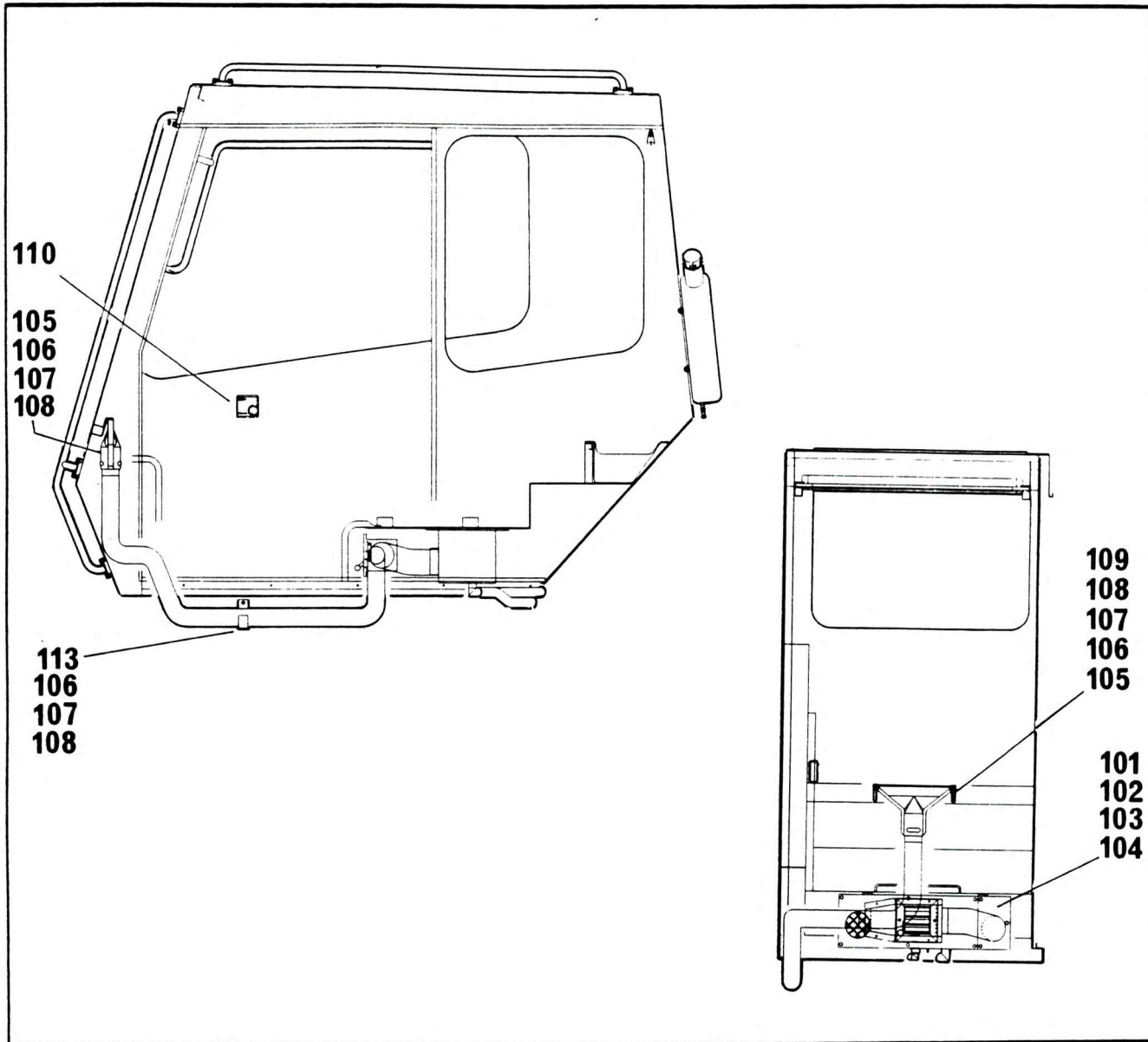


HEATER INSTALL CAB



NO.	PART NO.	QTY.	DESCRIPTION	NO.	PART NO.	QTY.	DESCRIPTION
100+	7-515-990117	1	Heater Kit Super Cab	113	6-184-991865	1	Bracket Ducting Support
101	7045202	4	Screw M8 x 25 Long	+ See further breakdown in this group			
102	7-661-170003	4	Hex Nut 8mm x 1.25				
103	7-951-170014	4	Flat Washer M8				
104	7-951-170210	4	Spring Washer Dia.8				
105	7045004	10	Screw M5 x 20 Long				
106	7-661-110003	8	Nut M4				
107	7066532	10	Washer Plain 5m Dia.				
108	7-951-130210	10	Spring Washer M5 (Steel)				
109	7-184-990024	2	Demist Nozzle Bracket				
110	7-121-111001	2	Scrwe M4 x 16 Long				